

# Explosion-proof Control Station

## KBX03 - Series

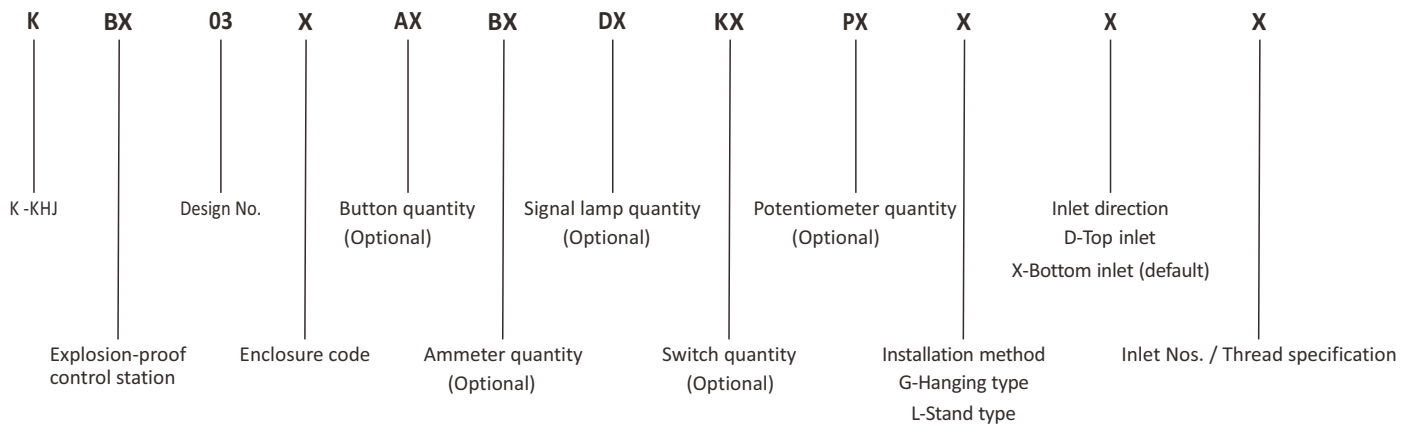
- II 2 G Ex db eb IIC T6 Gb
- II 2 D Ex tb IIIC T80°C Db



### 1. Application and Features

- Explosion proof certificates
  - ATEX : SEV 22 ATEX 0606 X
  - IECEx : IECEx SEV 22.0011X
- Application in hazardous area
  - Zone 1 and Zone 2,
  - Zone 21 and Zone 22
- There are 5 types of enclosure, assembled with explosion-proof components (control buttons, switches, indicator lights, potentiometers, ammeters, etc.) and terminal blocks. The components are rail-type structure, which can be quickly installed and convenient for installation and maintenance.
- The emergency stop button can be equipped with anti-misoperation mechanism and padlock by requirements.
- Stainless steel exposed fasteners, anti-drop structure, convenient for installation and maintenance.

### 2. Product definition



**Note:**

1. Example: KBX03-19A2B1GXM25X1.5, 19# enclosure, which with two control buttons, one ammeter, wall mounting type, one bottom inlet M25X1.5.
2. The specific requirements of the components are based on the drawings.
3. Button code, switch code, signal lamp code, ammeter code.
4. The rain shade is customizable by requirements.

### 3. Technical Parameter

Ex marking	Gas	II 2 G Ex db eb IIC T6 Gb	Ex db eb IIC T6 Gb
	Dust	II 2 D Ex tb IIIC T80°C Db	Ex tb IIIC T80°C Db
Executive standards		IEC 60079-0, IEC 60079-1, IEC 60079-7, IEC 60079-31 EN 60079-0, EN 60079-1, EN 60079-7, EN 60079-31	
Enclosure materials	Enclosure	GRP (Polyester resin, glass fibre reinforced), antistatic	
	Rain shade	Bended steel plate surface powder coated (black color) or stainless steel 304/316, please note when needed.	
Color of enclosure		Black	
Exposed fasteners		Stainless steel exposed fasteners, anti-drop structure	
Rated voltage		Maximum 415VAC, 250V DC	
Rated current		6A、10A、16A	
Wire diameter		≤6A: 0.75~2.5mm <sup>2</sup>	
		6A < I ≤ 10A: 1.5~2.5mm <sup>2</sup>	
		10A < I ≤ 16A: 2.5mm <sup>2</sup>	
Degree of protection		IP66	
Ambient temperature		-40°C~+40/45/50/55/60/65/70°C	
Components		K0101 explosion-proof control button.	
		K0102 explosion-proof indicator.	
		K0101-S explosion-proof control switch.	
		K0109 explosion-proof ammeter.	
Installation method		Wall type and stand type	
Cable entries	Wall type	M16X1.5~M63X1.5 Without cable entry device as default, please note if which is needed.	

### 4. Components and accessories



K0101- Control button



K0101-A2 Double button



K0102- Signal lamp



K0101-A Illuminated control buttons



K0109- Ammeter



K0155 Switch



φ38 operating handle



φ65 operating handle (with padlock available)



Square operating handle

**Note:**

1. K0109-48 occupies 2 components position;
2. φ 65 and square operating handle occupies 2 components position;
3. K0155 switch, K0109-72 occupies 2~3 components position.

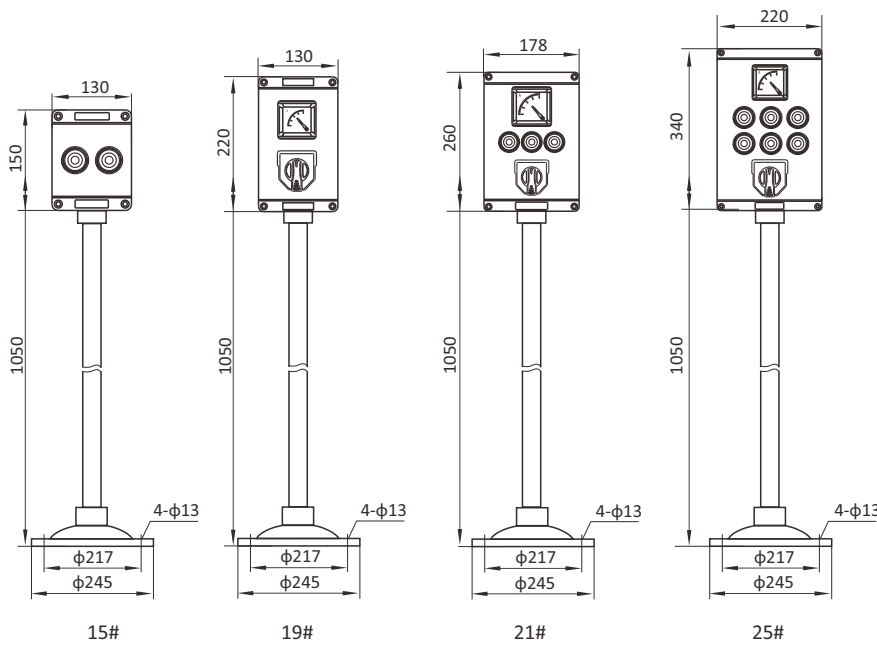
### 5. Selection Table (Dimensions in mm)

Outline	Component layout
<p>15#</p>	<p>1501    1502    1505    1506    1507</p>
<p>19#</p>	<p>1901    1902    1903    1904    1905    1906</p> <p>1907    1908    1909    1910    1912</p>
<p>21#</p>	<p>2101    2102    2103    2104    2105    2106</p>
<p>25#</p>	<p>2501    2502    2503    2504    2505    2506</p>
<p>29#</p>	<p>2901    2902    2903    2904</p>

## 6. Height of electrical accessories

Electrical accessories	Frame of ammeter	Standard button	Double Button	Button with key	Self-lock button	Mushroom button	Mushroom button with key	Indicator light	illuminated button	Control switch S1, S3	Control switch S2	potentiometer (single turn)	potentiometer (multi turn)
h(mm)	11	20.5	21.5	38(62)	40	32	45(69)	23.5	20.5	40	42	27	40.5

## 7. Outline and Installation (stand type)



## 8. Accessories list

Item	Picture	Purchase code	Weight (kg)
Stand type connection part		1.01.901.00007	0.3
Pole		1.01.901.00006	3.4
Basis		1.01.901.00005	0.6